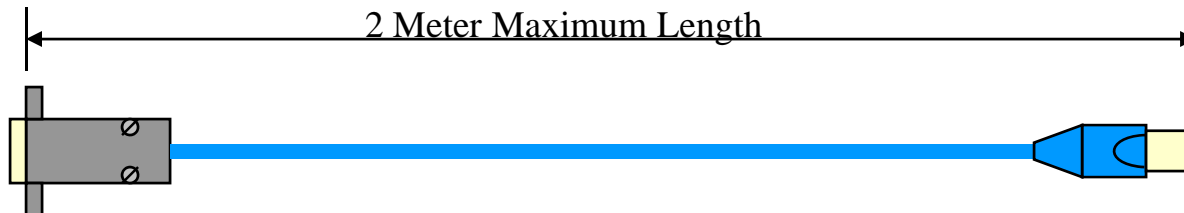
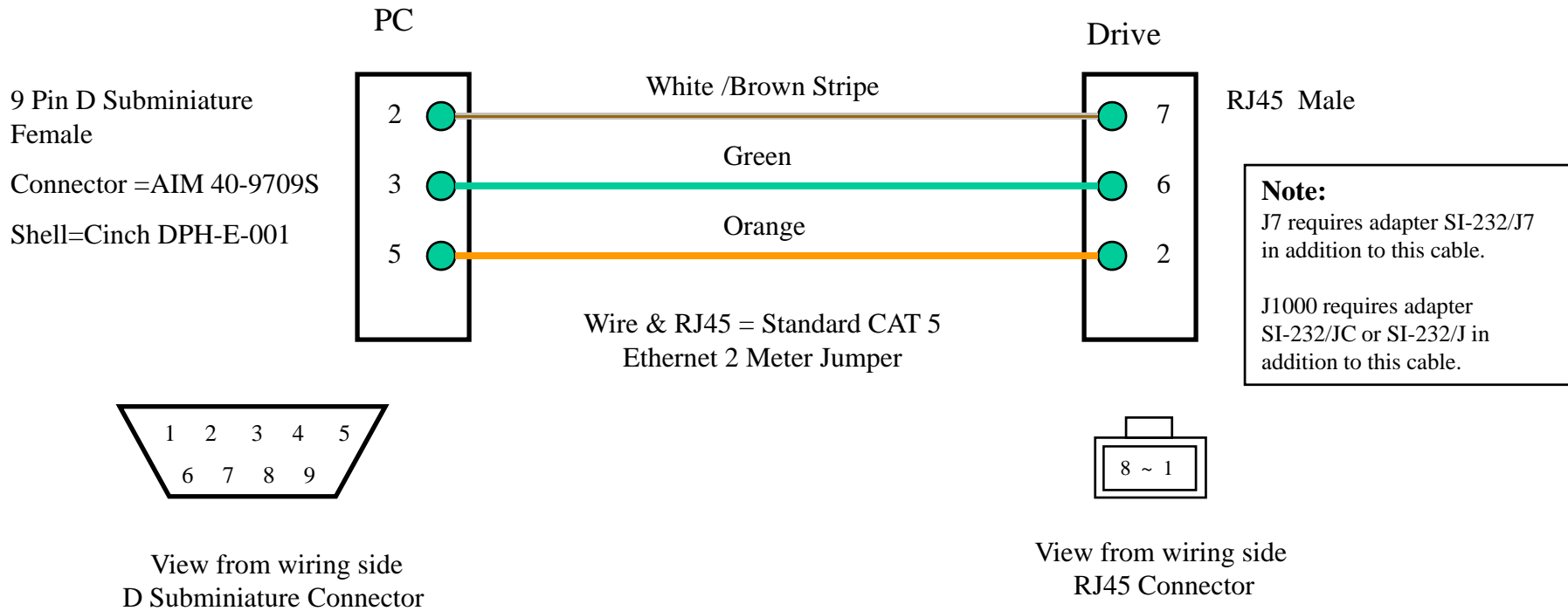


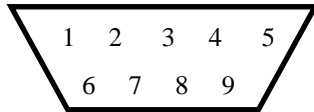
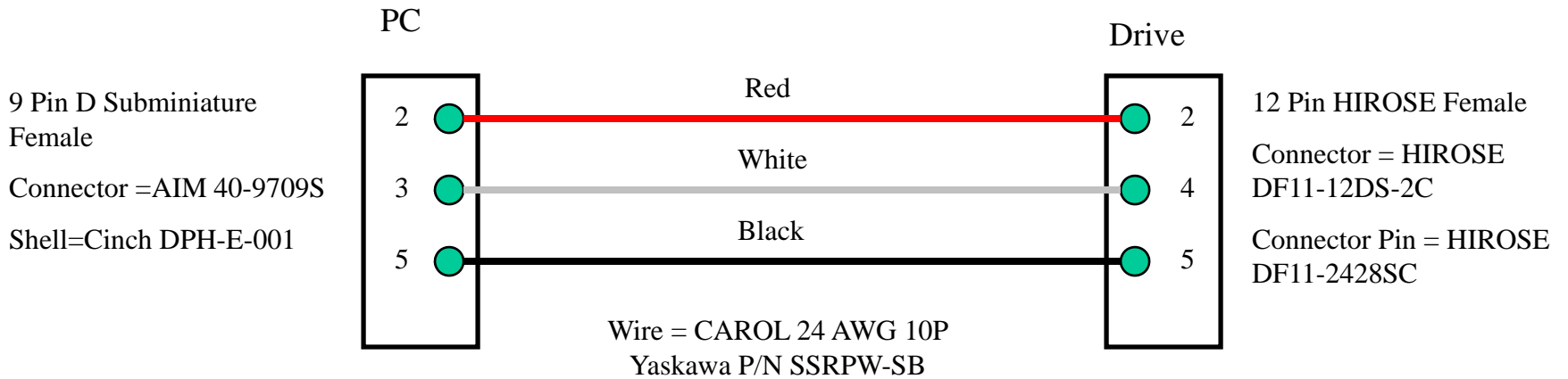
For A1000 600V, J1000, V1000, V1000-4X, J7, V7, E7, P7, G7, and F7 Drives

PC to Drive Connection Cable UWR00468-2

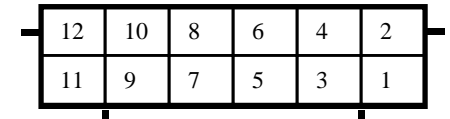


For G5 Drive

PC to Drive Connection Cable UWR00103-1



View from wiring side
D Subminiature Connector



View from wiring side
HIROSE Connector

